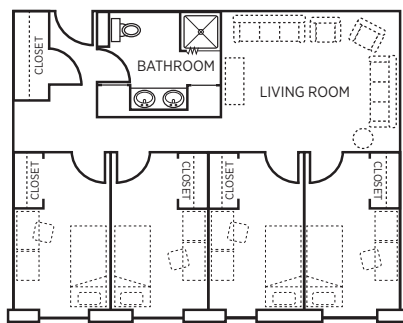


SOUTH RESIDENCE HALL MEASUREMENT SHEET

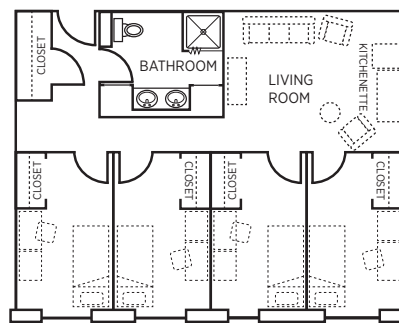
As you prepare to move in to your new home, please review the following measurements to ensure your belongings will fit in your assigned room. The layout and size of rooms may vary slightly.

For more information about living on campus, visit uhsp.edu/campuslife/living.

SUITES



STANDARD SUITE



SUITE WITH KITCHENETTE

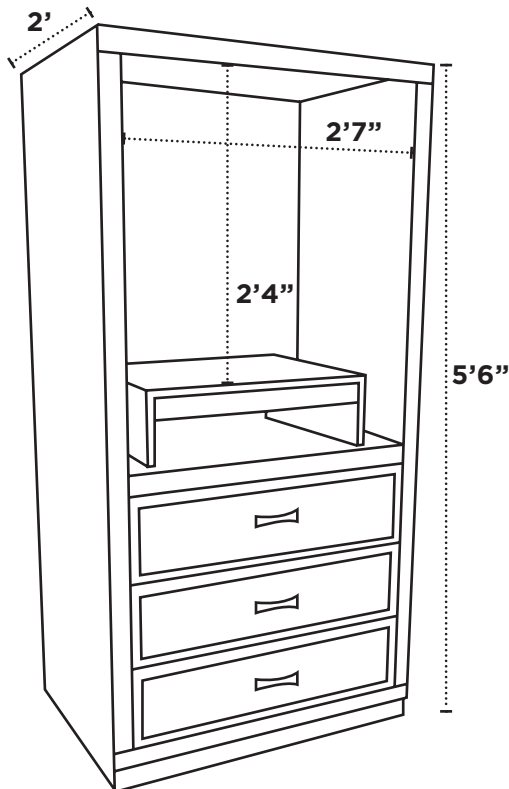
ROOM DIMENSIONS

Suite bedroom 8'3"x13'6"

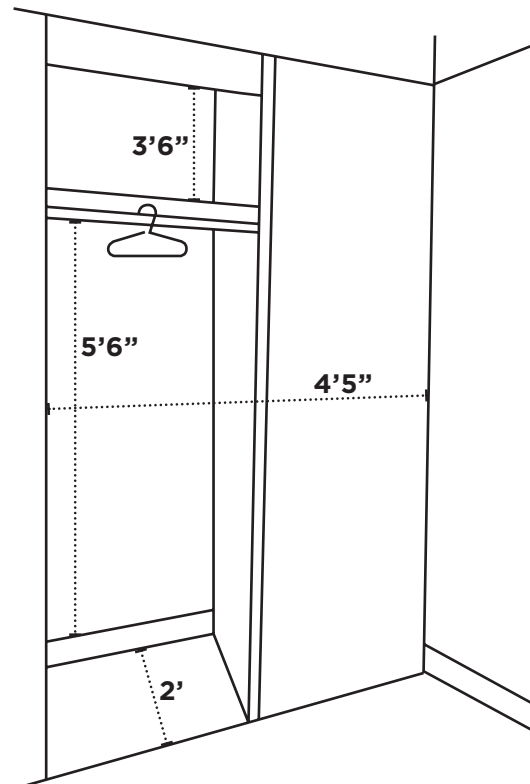
Suite living room 16'6"x11'

Bathroom 11'8"x3'10"

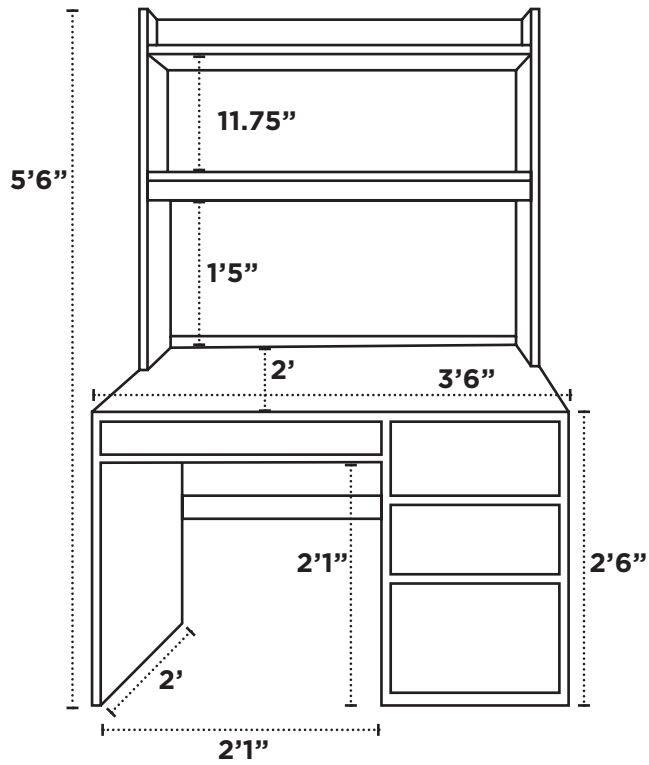
FURNITURE MEASUREMENT



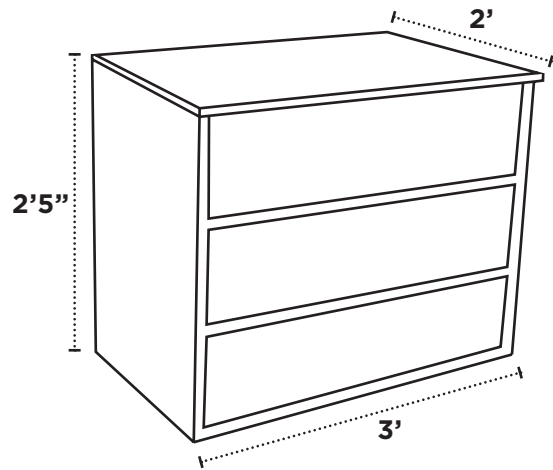
ENTERTAINMENT CENTER



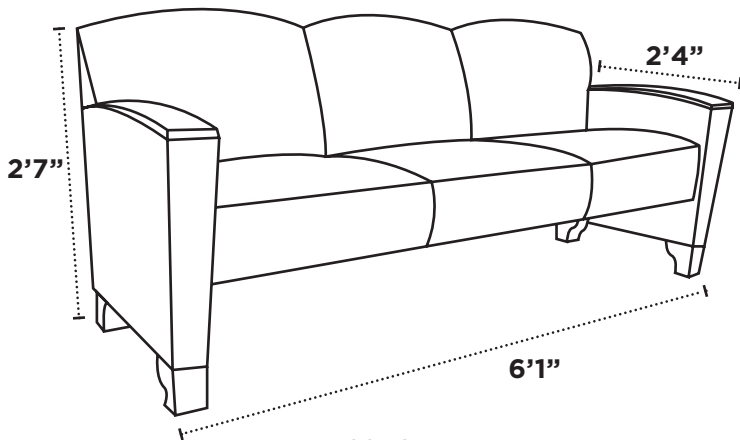
CLOSET AREA



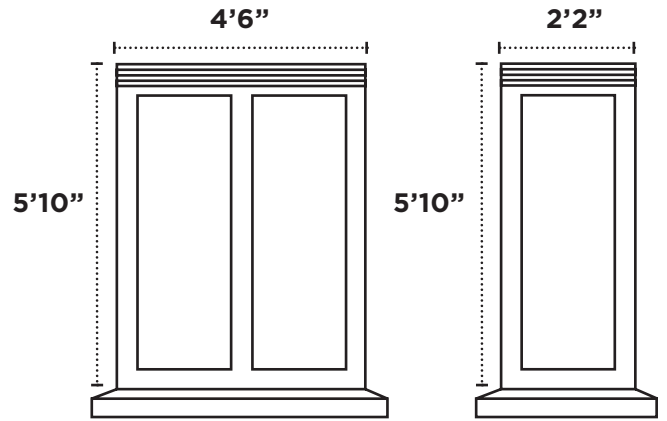
DESK



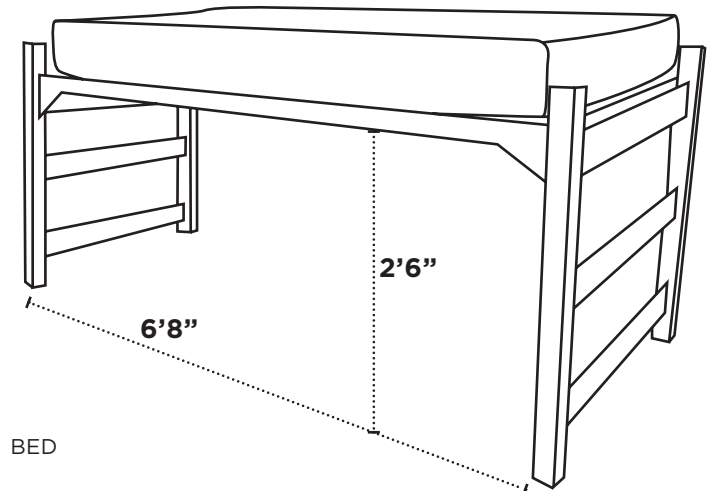
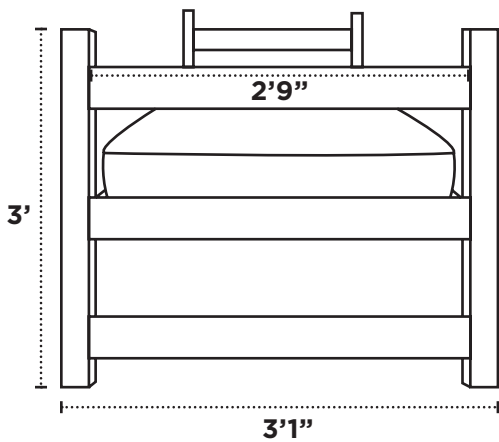
DRESSER



COUCH

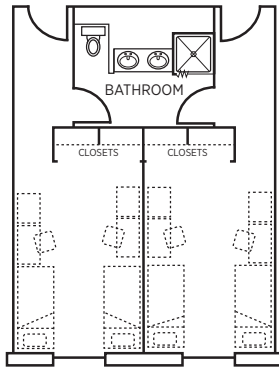


WINDOWS

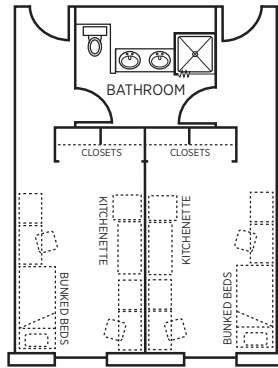


BED

SINGLE- AND DOUBLE-OCCUPANCY ROOMS



STANDARD SINGLE AND DOUBLE



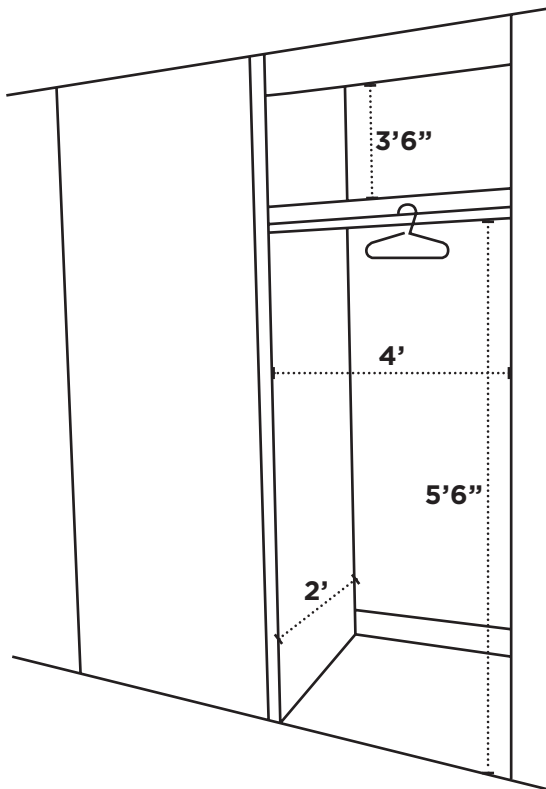
SINGLE AND DOUBLE WITH KITCHENETTE

ROOM DIMENSIONS

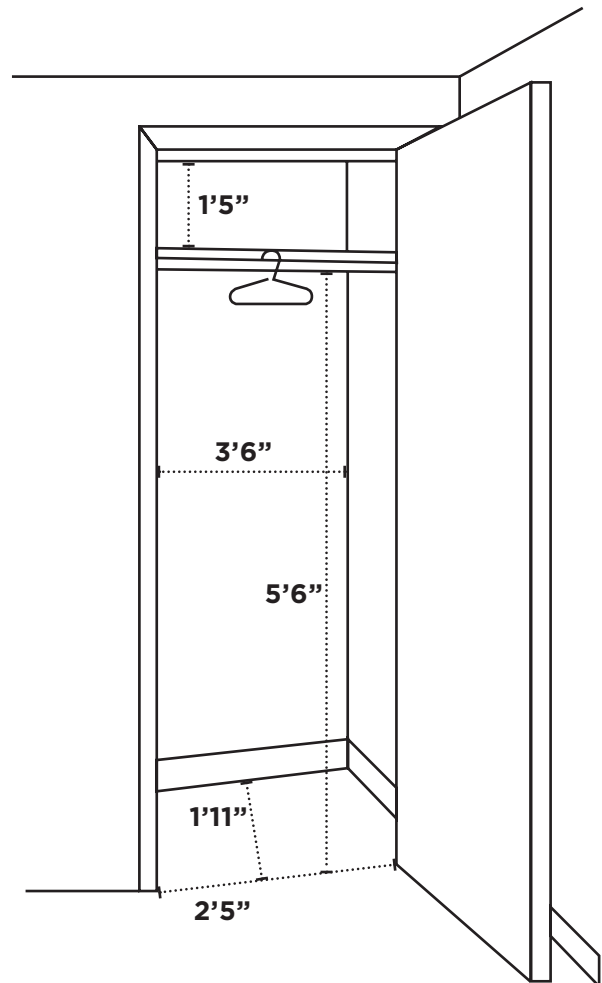
Single- and double-occupancy bedroom 11'x20'5" | Bathroom 11'8"x3'10"

Single rooms in South Residence Hall are assigned in double-occupancy rooms and have two complete sets of furniture.

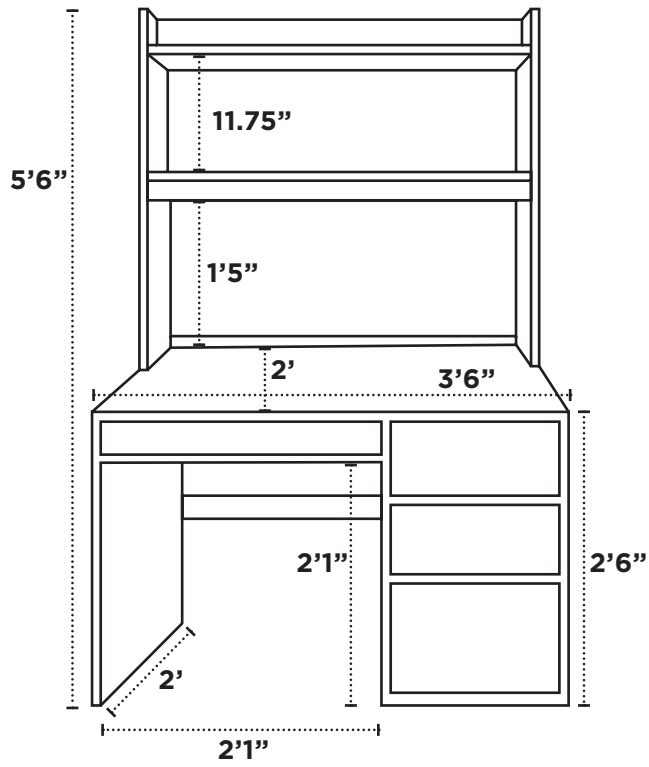
FURNITURE MEASUREMENT



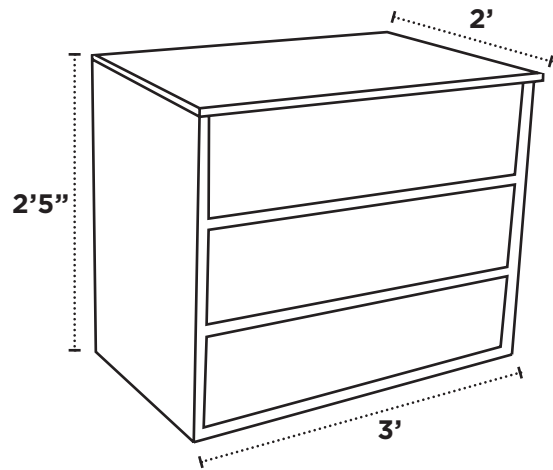
CLOSET AREA



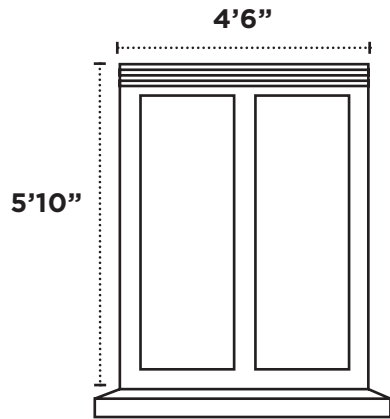
CLOSET AREA
(rooms with last digits 13, 14, 15 and 16)



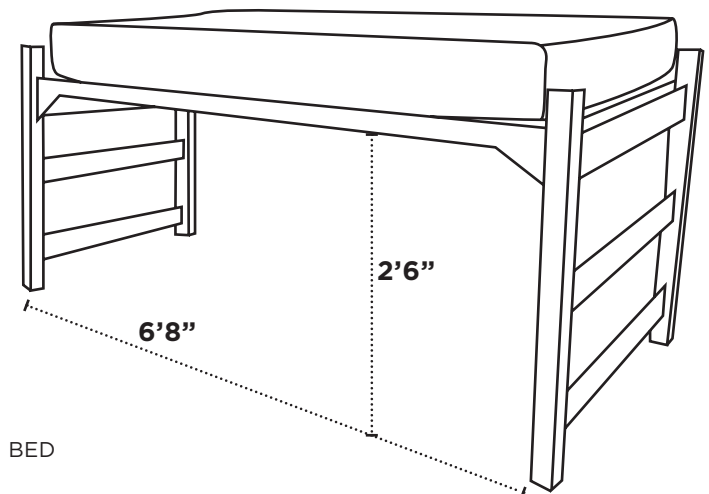
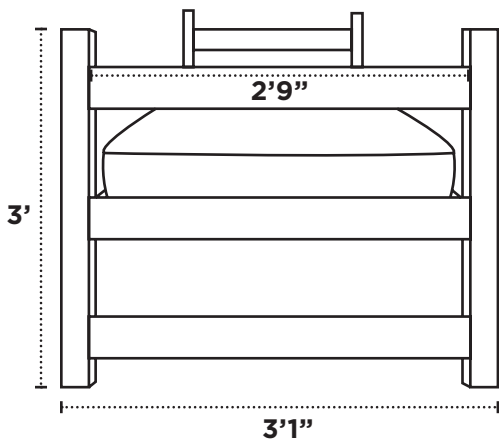
DESK



DRESSER



WINDOW



BED